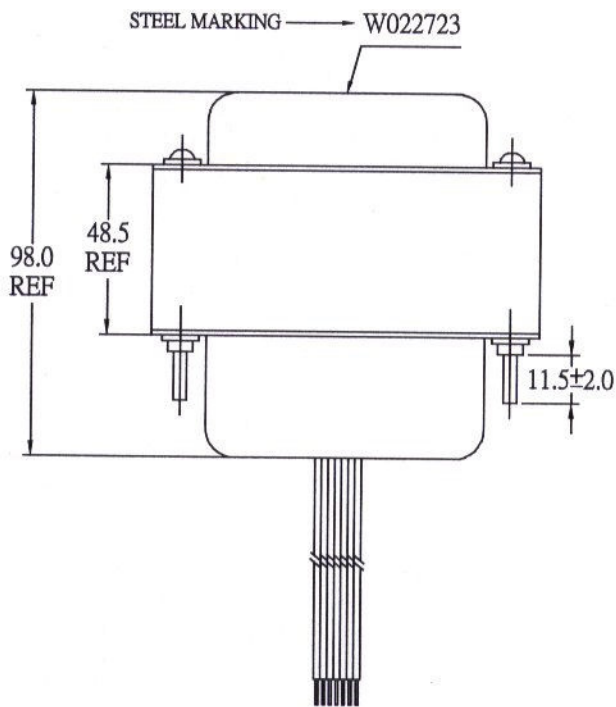
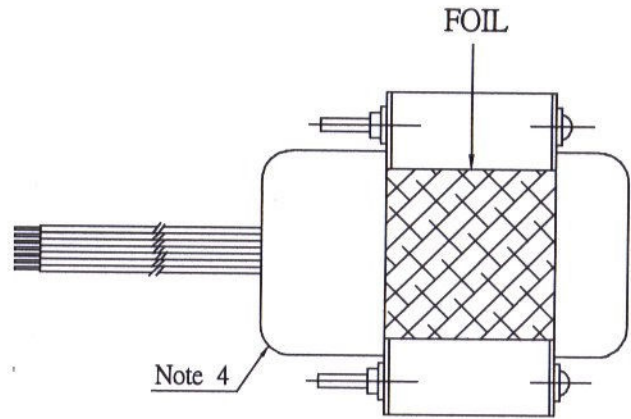
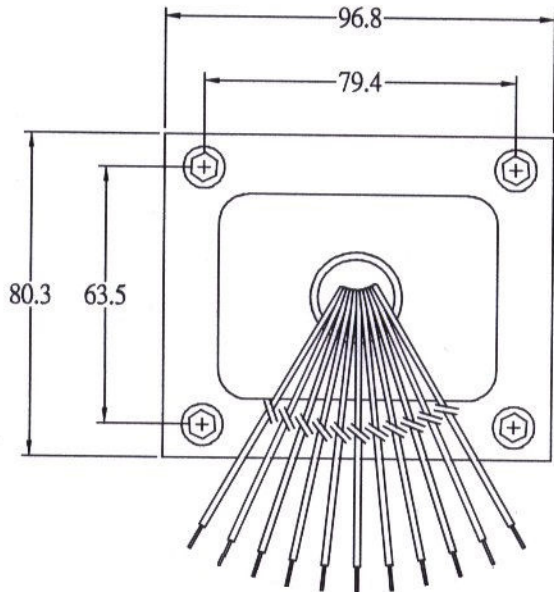
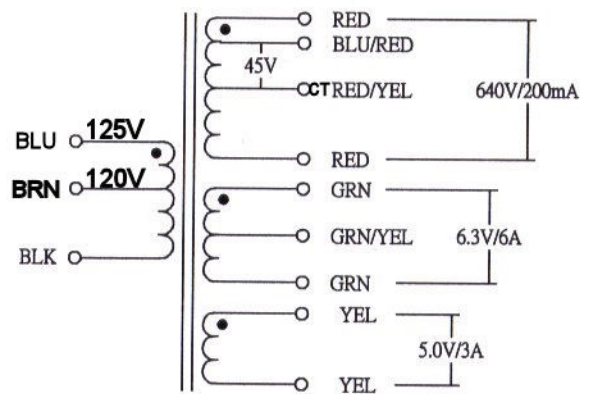


W022723 Power Transformer



NOTES:

1. ALL LEAD WIRES ARE #18AWG, UL1015;
LENGTH 304.8 ± 10.0 mm, S&T 6.35 ± 1.0 mm.
2. LEAD #3 RED TO BE LABELLED PER THE SCHEMATIC WITH LEAD MARKER #3, LOCATED APPROX 2 INCHS FROM THE END.
3. SCREW : #8-32.
4. THE FINISH ON THE END BELLS TO BE BLACK.



PRI SEC
Note: Red/Yel is CT of high voltage winding