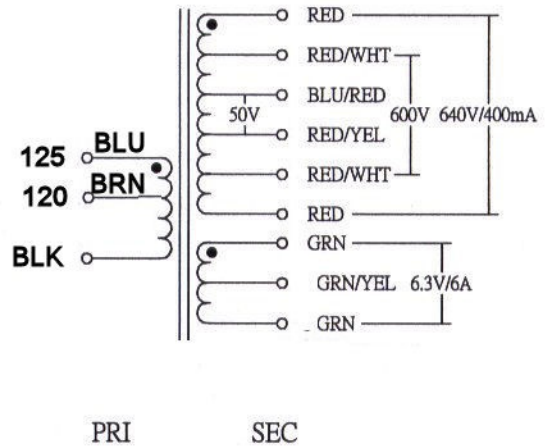
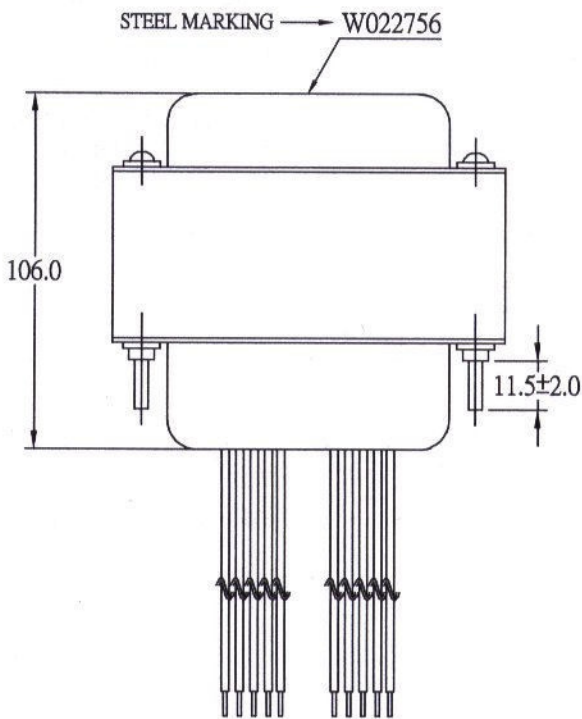


NOTES:

1. ALL LEAD WIRES ARE #18AWG, UL1015;
LENGTH 304.8 ± 10.0 mm , S&T 6.35 ± 1.0 mm.
2. SCREW : #8-32.
3. THE FINISH ON THE END BELLS TO BE BLACK.



W022756 Power Transformer