

W022772 Power Transformer

Typical Characteristics

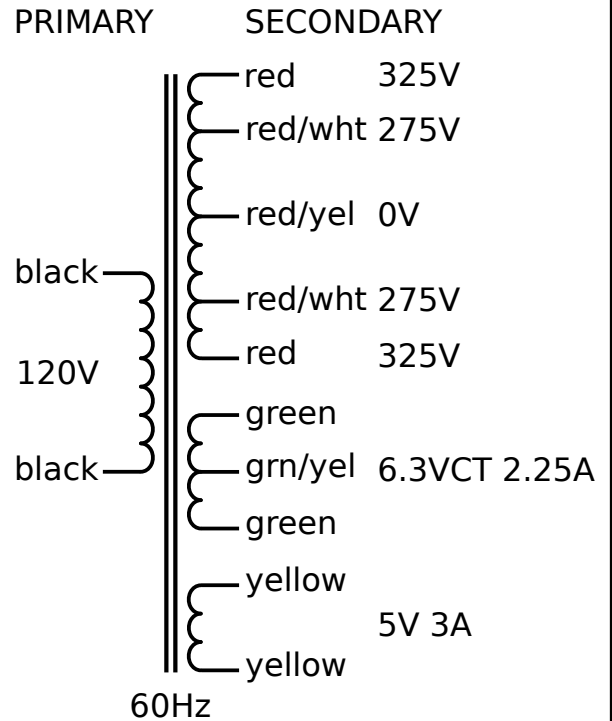
Primary	120V 60Hz
Secondary 1	650/550 VCT 100mA
Secondary 2	6.3VCT 2.25A
Secondary 3	5V 3A
I _{ex} at 120V 60Hz	146mA

Typ. DC Resistance

Black to Black	3.965Ω ±20%
Red to Red	283.4Ω ±20%
Green to Green	0.134Ω ±20%
Yellow to Yellow	0.111Ω ±20%

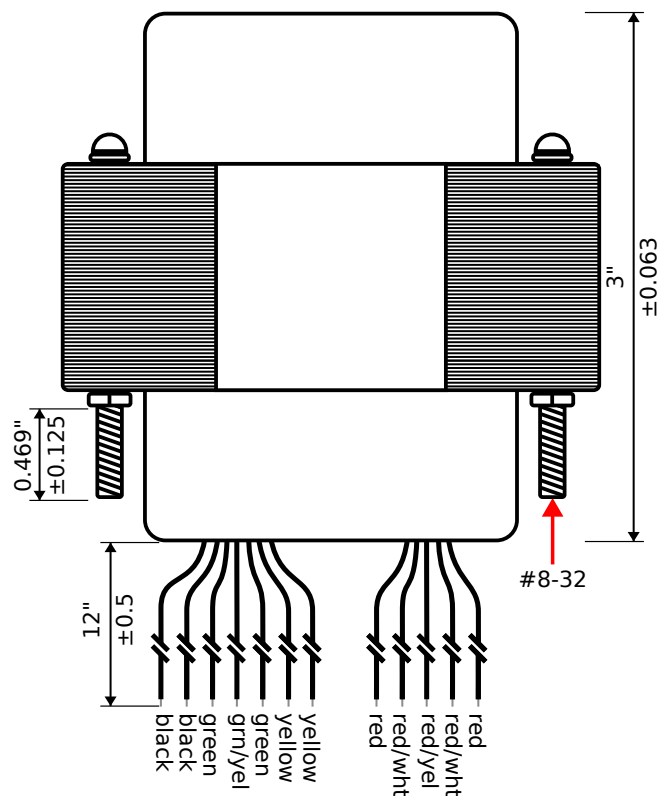
Typ. Secondary No Load Voltage

Red/Yel to Red	351.25V ±2%
Red to Red	702.5V ±2%
Red/Yel to Red/Wht	297.7V ±2%
Red/Wht to Red/Wht	595.4V ±2%
Gren/Yel to Green	3.42V ±2%
Green to Green	6.84V ±2%
Yellow to Yellow	5.42V ±2%



HI-POT PRI to SEC: 3000VAC 60Hz 1mA 2 sec.

SIDE VIEW



BOTTOM VIEW

