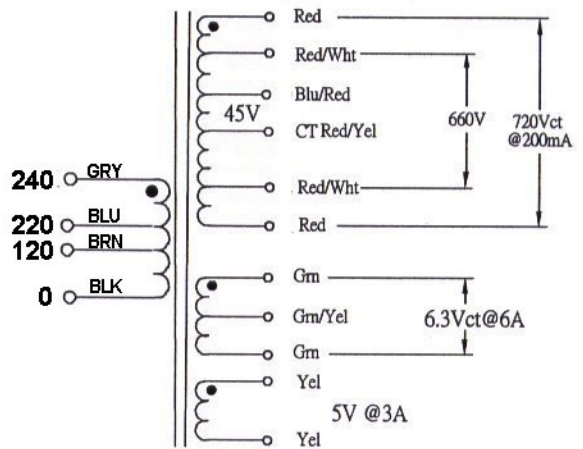
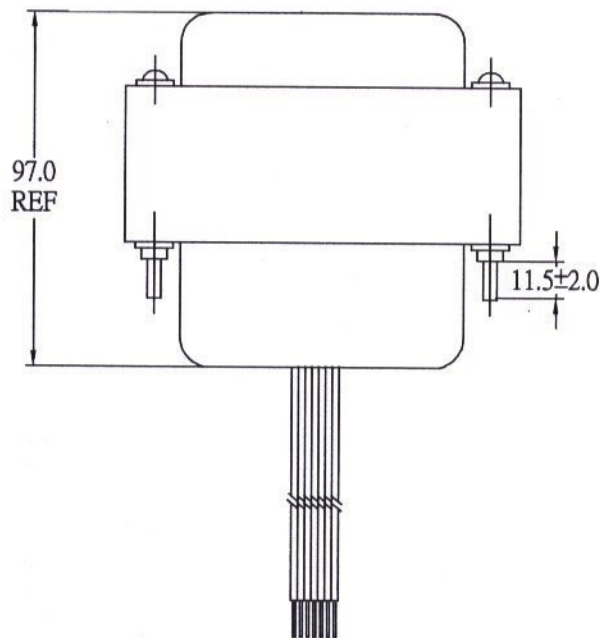


NOTES:

1. ALL LEAD WIRES ARE #18AWG, UL1015;  
LENGTH  $304.8 \pm 10.0$ mm, S&T  $6.35 \pm 1.0$ mm.
2. LEADS #8 RED, #9 RED/WHT, #12 RED/WHT, #13 RED  
ARE TO BE LABELLED PER THE SCHEMATIC WITH  
LEAD MARKERS #8, #9, #12, #13.
3. SCREW : #8-32.
4. THE FINISH ON THE END BELLS TO BE BLACK.



W022798 Power Transformer