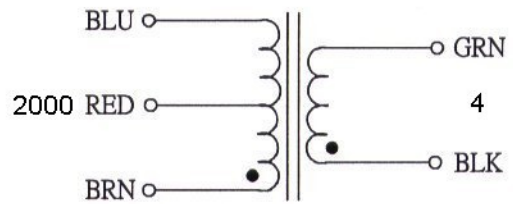
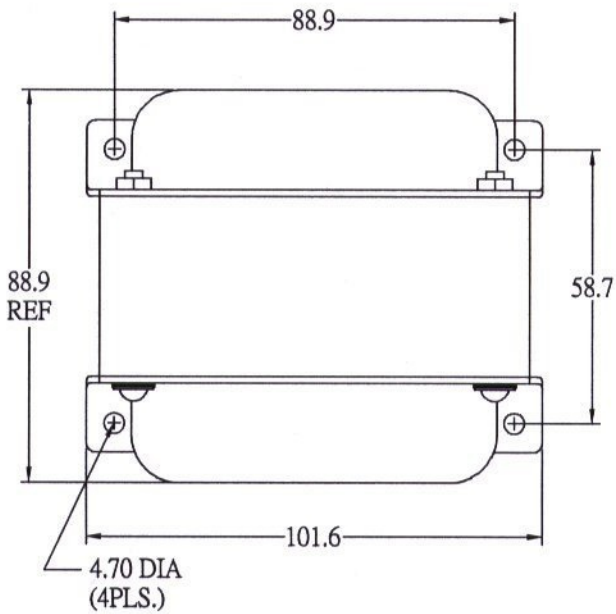


NOTE:

1. ALL LEADS ARE #18AWG UL1015, LEADS LENGTH 304.8 ± 10.0 mm, S&T 6.35 ± 1.0 mm .
2. THE FINISH ON THE END BELLS TO BE BLACK .



W022889 Output Transformer