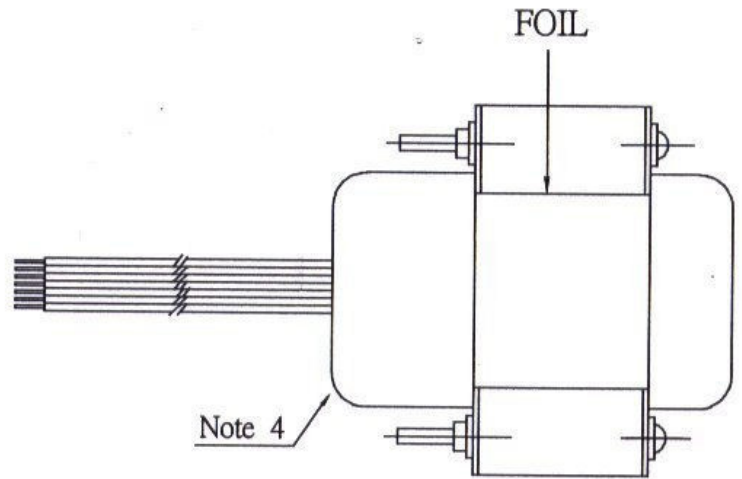
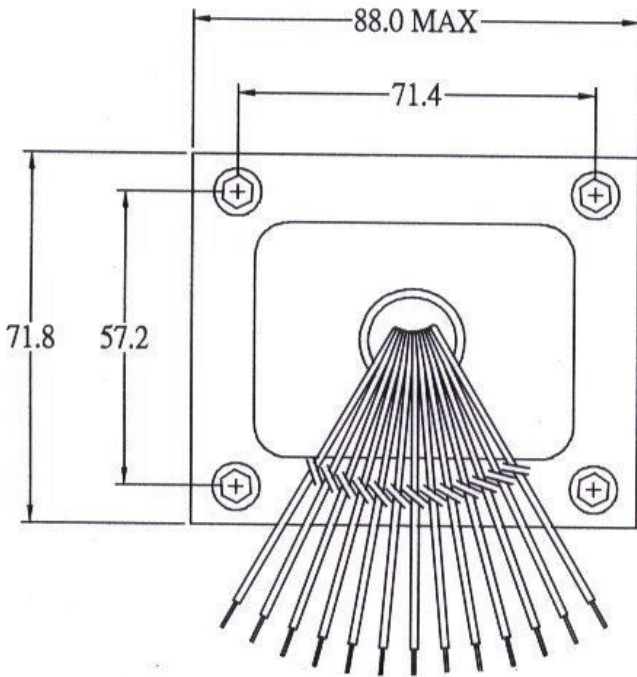
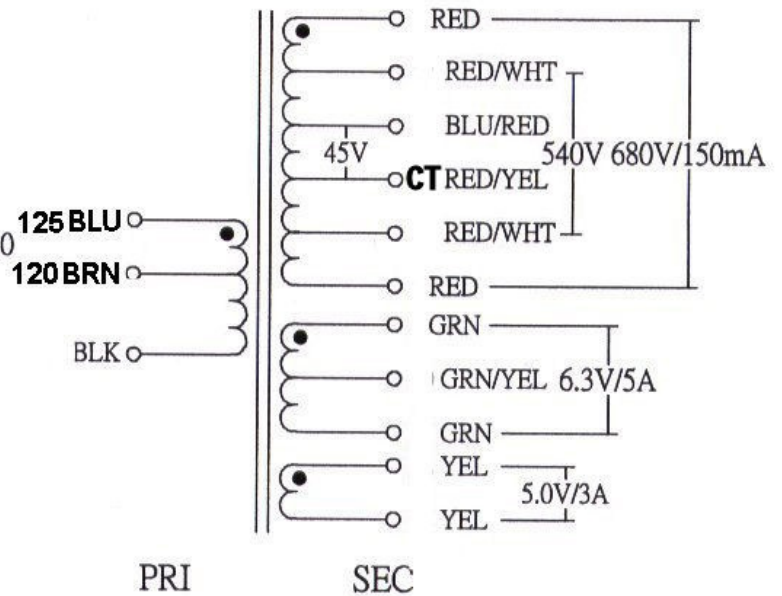
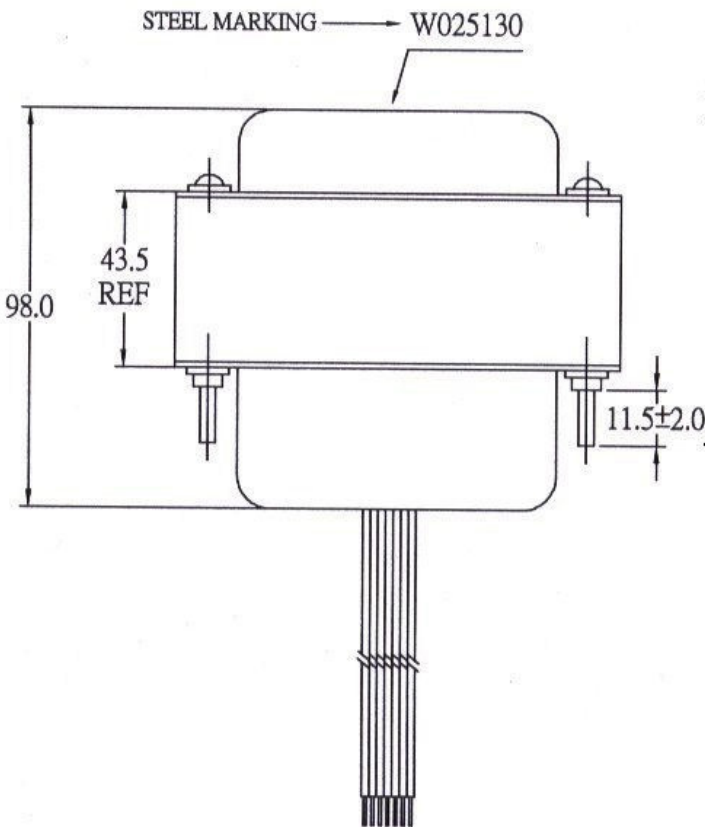


W025130 Power Transformer



NOTES:

1. ALL LEAD WIRES ARE #18AWG, UL1015;
LENGTH $304.8 \pm 10.0\text{mm}$, S&T $6.35 \pm 1.0\text{mm}$.
2. LEADS #3 RED RED/WHT ARE TO BE LABELLED PER THE SCHEMATIC WITH LEAD MARKERS #3, LOCATED APPROX 2 INCHS FROM THE END.
3. SCREW : #8-32.
4. THE FINISH ON THE END BELLS TO BE BLACK.



Red/Yellow is centertap of high voltage winding